

MOTOMAN PL500

Palletizing with the PL-series



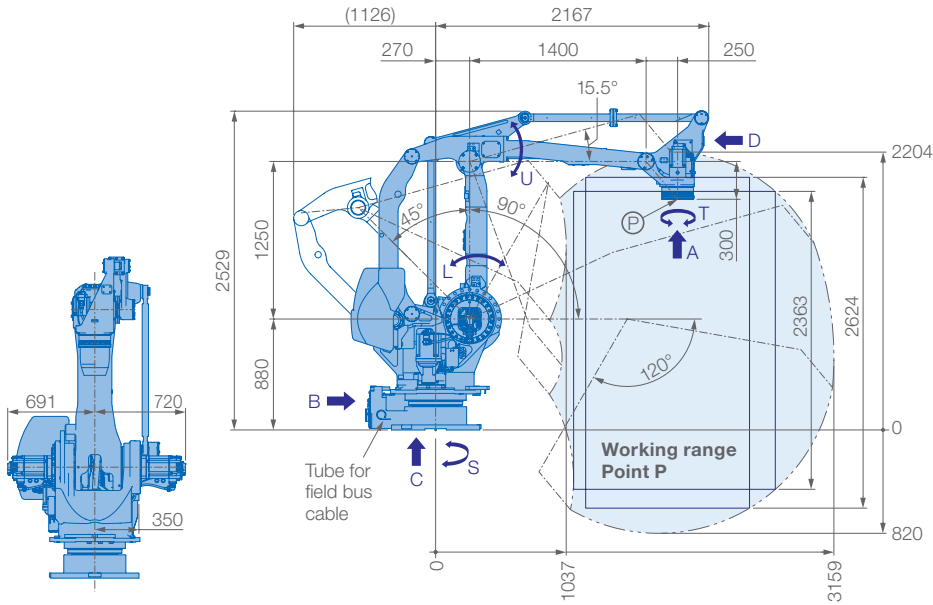
The versatile and powerful 4-axis MOTOMAN PL500 robot provides high performance in box palletizing, case palletizing and many further logistical tasks for end-of-line or distribution center automation.

Its extensive vertical reach of 3024 mm combined with 3159 mm horizontal reach enables high palletizing loads. The internal wiring from the base to U-axis maximizes system reliability.

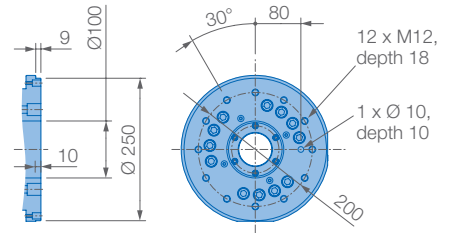
The PL500 is driven by the high-performance YRC1000 controller which is available with the optional Category 3 Functional Safety Unit (FSU), providing a variety of new safety functions.

KEY BENEFITS

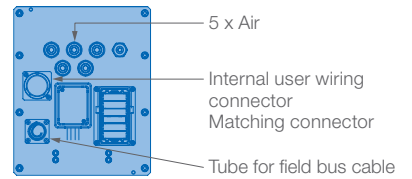
- Compact, flexible and powerful
- High acceleration and speed:
Up to 1200 cycles/h palletizing capa, suitable for box palletizing
- High Payload: 500 kg
- Large motion range:
 - 2624 mm square reach (on pallet 1300 x 1300 mm)
 - 2363 mm stack height (on pallet 1600 x 1600 mm)
- Maximum reliability, empty tube for internally routed airlines and cables
- Enhanced Safety Functions for YRC1000 Functional Safety Controller (FSU)
- IP Protection: IP54



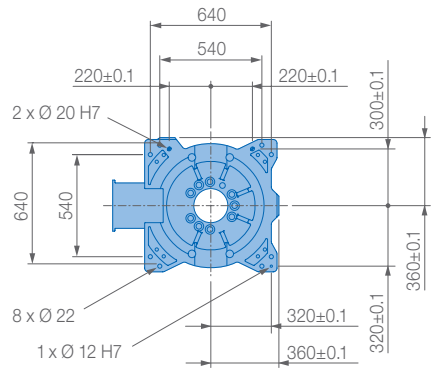
View A



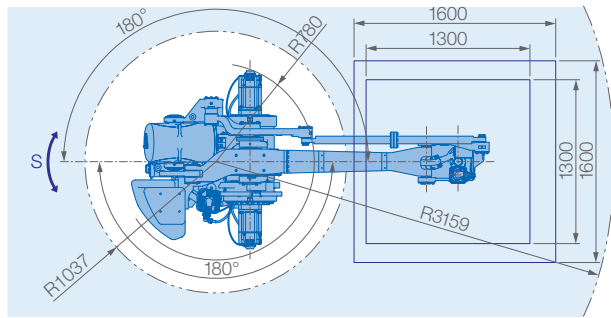
View B



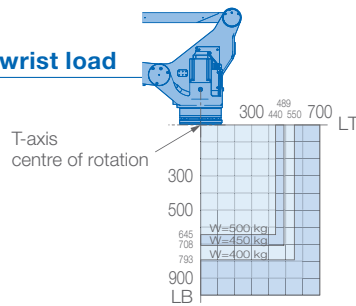
View C



Mounting option: Floor
IP Protection: IP54



Allowable wrist load



Specifications PL500						
Axes	Maximum motion range [°]	Maximum speed [°/s]	Allowable moment [Nm]	Allowable moment of inertia [kg · m ²]	Controlled axes	4
S	±180	85	-	-	Max. payload [kg]	500
L	+90/-45	85	-	-	Repeatability [mm]	±0.05
U	+15.5/-120	85	-	-	Max. working range R [mm]	3159
R	-	-	-	-	Temperature [°C]	0 to +45
B	-	-	-	-	Humidity [%]	20 - 80
T	±360	195	-	200	Weight [kg]	2390
					Power supply, average [kVA]	8.0