

YASKAWA

MOTOMAN MPX1950

Compact Robot for flexible Painting



The MOTOMAN MPX1950 painting robot provides a payload of 7 kg, which enables mounting of multiple guns and bells on this medium-sized robot. The smooth arm design with a large hollow diameter is optimal for tubing and can prevent interferences among paint and air tubes. On the U-Axis and L-Arm can be mounted up to 3 kg additionally paint equipment.

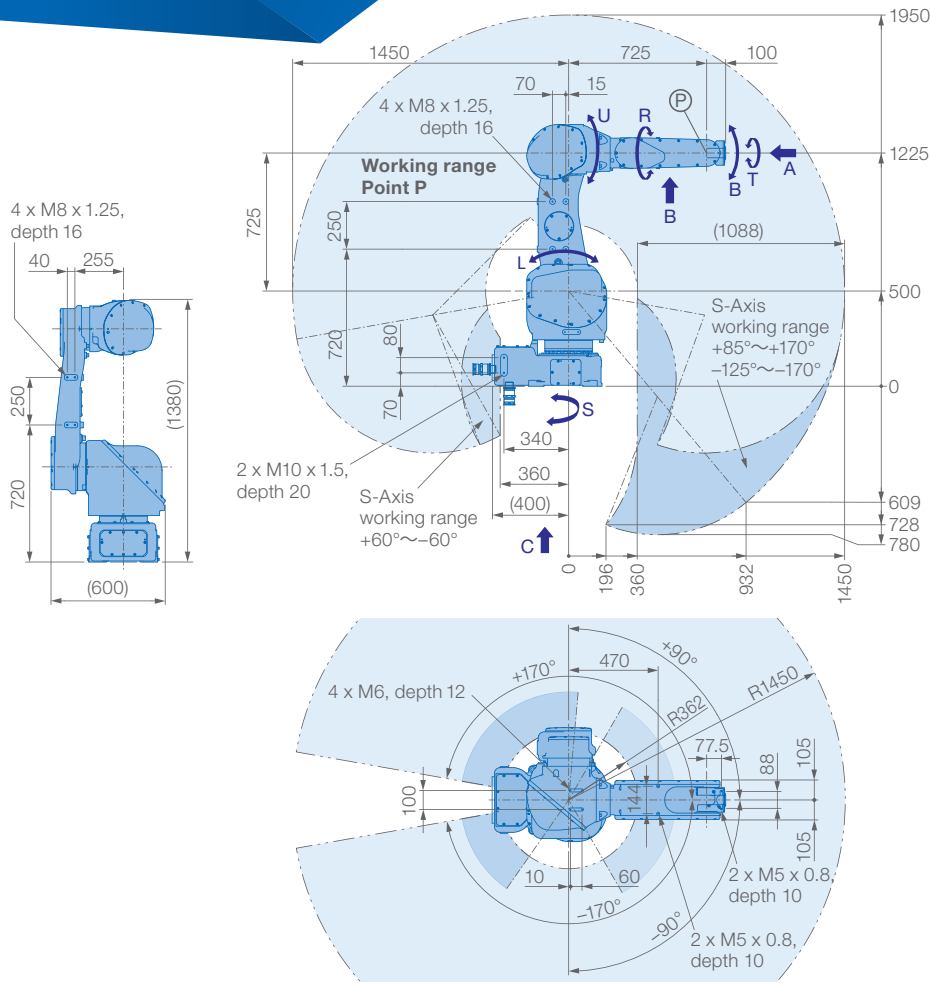
Using the leakage compensation method to achieve positive pressure inside the enclosure, less air during operation is required, compared to the conventional air flow method. The MOTOMAN MPX1950 can be mounted on the floor, wall or ceiling and has two selectable access points for power cables. The S/L axis is designed with no offset to enable the effective use of the area under the arm and closer installation to a work piece.

The MOTOMAN MPX1950 is controlled by the high-performance MOTOMAN DX200 controller, which is available with optional Functional Safety Unit (FSU) that offers a wide range of new safety functions.

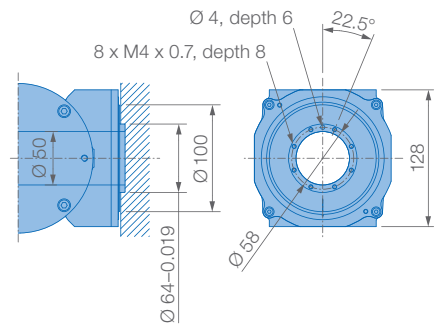
KEY BENEFITS

- Payload up to 7 kg for mounting multiple guns and large bells
- Elegant design for optimal tubing and prevention of interferences
- Optimized accuracy
- **Pressurized enclosure for explosion protection**
 - Leakage compensation method to achieve positive pressure
 - Requires less air than other air flow methods
- **Flexible mounting options**
 - Floor, wall, ceiling
 - Two selectable access points for power cables (from back and bottom)
- **Optimized range of motion**
 - S/L axis designed with no offset for
 - Effective use of area under the arm and
 - Closer installation of the robot arm to a work piece

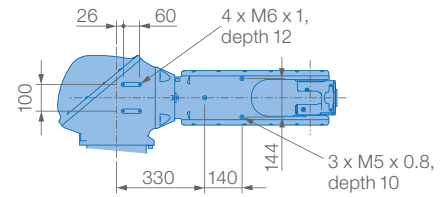
Controlled by
DX200



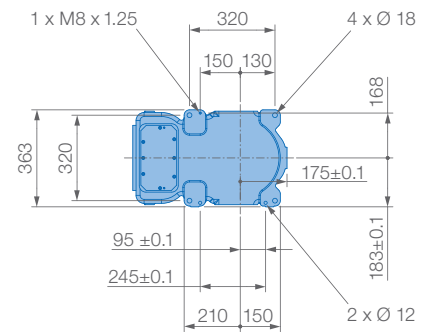
View A



View B

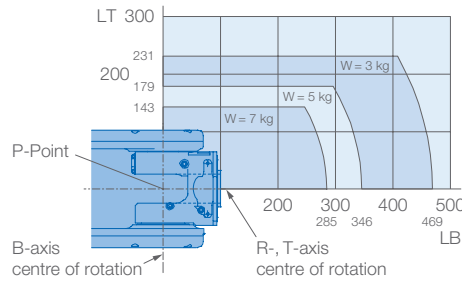


View C



Mounting options: Floor, ceiling, wall
Protection class: IP4X/65

Allowable wrist load



ATEX Category 2: (MPX1950-C00)
 II 2 G Ex ib pxb IIB T4 Gb
 Ta = 0°C to 40°C

 2809

Specifications MPX1950					
Axes	Maximum motion range [°]	Maximum speed [°/sec.]	Allowable moment [Nm]	Allowable moment of inertia [kg · m ²]	Controlled axes
S	±170 (wall ±90)	180	-	-	6
L	+140/-100	180	-	-	Max. payload [kg]
U	+235/-62	180	-	-	Repeatability [mm]
R	±200	360	19.6	0.6	Max. working range R [mm]
B	±150	400	19.6	0.6	Temperature [°C]
T	±400	500	9.8	0.16	Humidity [%]
					Weight [kg]
					Power supply, average [kVA]