

MOTOMAN PL80

Palletizing with the PL-series



The smallest palletizing robot in the MOTOMAN PL-series offers top performance with its 5 axes for box, carton and pack palletizing in end-of-line packaging and logistics applications.

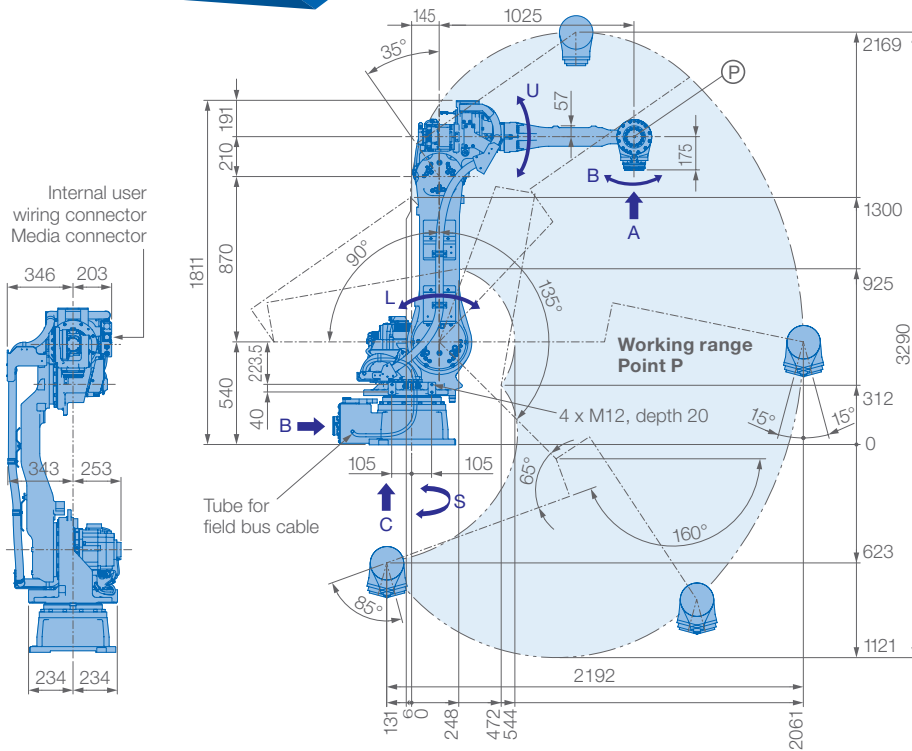
The extended vertical reach of 3,291 mm ensures high palletizing heights, in combination with its horizontal reach of 2,061 mm, this enables a wide range of applications. The compact MOTOMAN PL80 guarantees high palletizing loads of up to 80 kg and impresses with its low overall height, slim design and small footprint.

The MOTOMAN PL80 is equipped with the latest Yaskawa Sigma7 Drive Technology and the compact YRC1000 high performance controller.

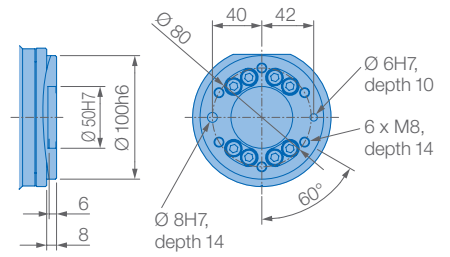
Ideal is the combination with the optional Functional Safety Unit (FSU) for safeguarding compact working areas, or with MotoLogix® for easy programming of the robot via PLC function blocks.

KEY BENEFITS

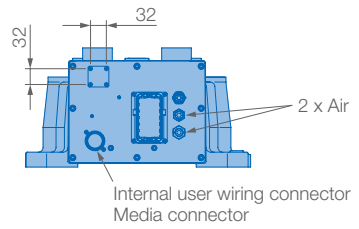
- New Sigma7 servo motors → high accelerations, speed, energy efficiency
- High payload: max. 80 kg
- Large working range: 2,061 mm
- Compact and slim design
- Advanced functional safety (FSU) with YRC1000 controller
- Programmable by PLC function blocks via MotoLogix software interface
- Dust and liquid proof wrist design (IP54/67)



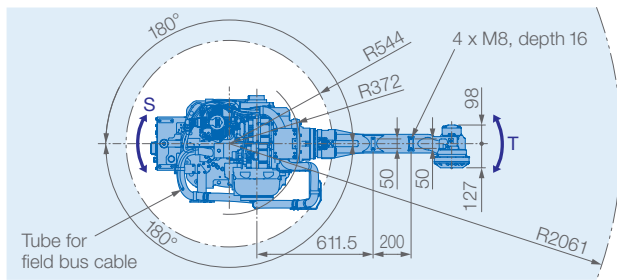
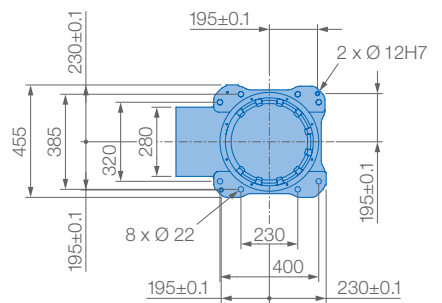
View A



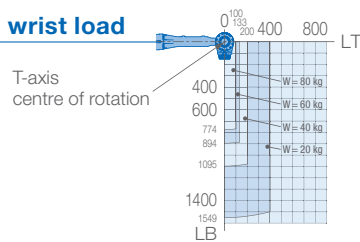
View B



View C



Allowable wrist load



Mounting option: Floor
IP Protection: IP54 (body), IP67 (wrist)

Specifications PL80						
Axes	Maximum motion range [°]	Maximum speed [°/s]	Allowable moment [Nm]	Allowable moment of inertia [kg · m ²]	Controlled axes	
					Max. payload [kg]	
S	±180	180	-	-	5	
L	+135/-90	180	-	-	80	
U	+35/-160	180	-	-	Repeatability [mm]	±0,03
R	-	-	-	-	Max. working range R [mm]	2061
B	±15	180	78.5	48	Temperature [°C]	0 to +45
T	±360	500	20.5	25	Humidity [%]	20 - 80
					Weight [kg]	565
					Max. connected load [kVA]	4.5